

Model: NT-IBN12

Spec: I5/P/4mm

2MP Fixed IR Bullet Camera



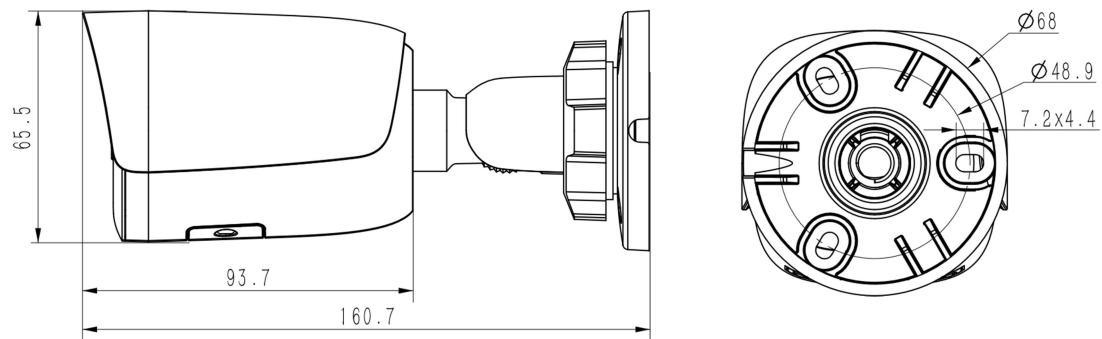
Features

- Up to 1920x1080@25/30fps
- Default: Metal+Plastic,
- S+265/H.265/H.264
- Min. illumination Color: 0.02Lux@F2.0
- 100 dB WDR
- Smart IR, IR Range: 50m
- Support tripwire and perimeter
- Built-in Mic, SD Card Slot,
- Operating Conditions -35°~65°, 0~95% RH
- POE, IP67

| | |
|------------------------------|---|
| Camera | |
| Image Sensor | 1/2.8" CMOS |
| Signal System | PAL/NTSC |
| Min. Illumination | Color: 0.02Lux@ (F2.0, ACG ON), B/W: 0Lux with IR |
| Shutter Time | 1s to 1/100,000s |
| Day & Night | Dual IR Cut Filter with Auto Switch |
| Wide Dynamic Range | 100dB |
| Angle Adjustment | Bracket, pan 0~360°, tilt 0~75°, rotate 0~360° |
| Lens | |
| Lens Type | Fixed |
| Focus | 4mm |
| Lens Mount | M12 |
| Aperture | F2.0, Fixed |
| FOV | Horizontal field of view: 82.1° (4mm) |
| Illuminator | |
| IR LEDs | 2 |
| IR Range | Up to 50m |
| Wavelength | 850nm |
| White LEDs/Warmlights | N/A |

| | |
|-----------------------------|--|
| Compression Standard | |
| Video Compression | S+265/H.265/H.264 |
| Video Bit Rate | 32Kbps~6Mbps |
| Audio Compression | G.711/G.711U/ADPCM |
| Audio Bit Rate | 8K~48Kbps |
| Image | |
| Max. Resolution | 1920x 1080 |
| Main Stream | PAL: 25fps (1920x 1080, 1280* 720, 704 *576, 640 *480) |
| | NTSC: 30fps (1920x1080,1280* 720, 704* 480, 640* 480) |
| Sub Stream | PAL: 25fps (704 *576, 704 *288, 640* 360, 352* 288) |
| | NTSC: 30fps (704* 480, 704* 240, 640 *360, 352* 240) |
| Image Setting | Saturation, brightness, contrast, sharpness, adjustable by client software or web browser |
| Image Enhancement | BLC/3D DNR/HLC |
| ROI | N/A |
| OSD | 16 16, 32 32, 48 48, 64 64, adaptable size, Letters Such as Week, Date, Time, Total 3 Regions |
| Privace Mask | Yes, 4 regions |
| Smart Defog | Yes |
| Feature | |
| Alarm Trigger | Motion Detection, Mask Alarm, IP Address Conflict |
| Video Analytics | Tripwire, Perimeter |
| Network | |
| ANR | Yes, auto store video in SD card when NVR disconnected, and upload video to NVR when resumed connection (Only Support NT-SERIES ANR NVR) |
| Protocols | TCP/IP, HTTP, FTP, DHCP, DNS, DDNS, MULTICAST, IPV4, NTP, UDP, Telnet |
| System Compatibility | ONVIF (PROFILE S/T/G), SDK, CGI (IE), P2P(Mutually exclusive with Profile G) |
| Remote Connection | 7 |
| Client | Easy7, EasyLive |
| Web Version | Web5 |
| Interface | |
| Communication Interface | 1 RJ45 10M/ 100M self adaptive Ethernet port |
| Audio I/O | Mic in |
| Reset Button | Yes |
| On-board storage | Built-in MicroSD card slot, up to 512 GB |
| General | |
| Web Client Language | 16 languages English, Russian, Spanish, Korean, Italian, Turkish, Simple Chinese, Traditional Chinese, Thai, French, Polish, Dutch, Hebraism, Farsi, Arabic, Vietnamese |
| Operating Conditions | |

| | |
|--------------------------|---|
| | -35 ~ 65 , 0 ~ 95% RH |
| Power Supply | DC 12V±25%, PoE (802.3af) |
| Power Consumption | MAX: 6W (12V) MAX: 7W (PoE) |
| Protection | IP67, Lightning protection, surge protection and voltage transient protection meets |
| Dimensions | 160.8x68x74.5mm (6.33 2.68x2.93inch) |
| Weight | Metal+Plastic: 0.3Kg (0.66lb) |



Note: Product specification and design are subject to change without any prior notice.