

**Model: NT-IDN22V**  
**Spec: I3/P/A/S/R/2.8-12MM**



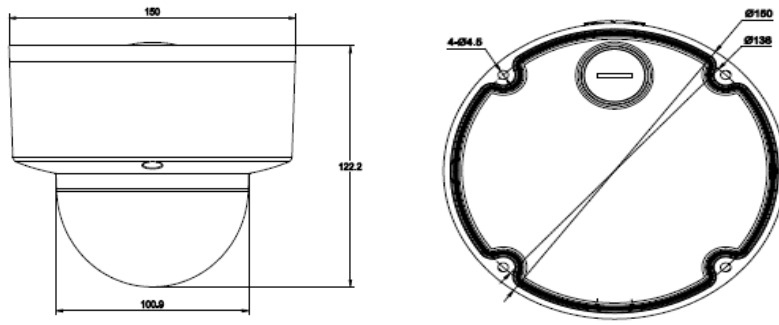
**2MP Vandalproof Varifocal IR Dome**

**Features**

- Up To 1080P, 1920x1080@30fps
- S+265 Codec
- Min. Illumination Color: 0.05 Lux,B/W: 0.01Lux,0 Lux with IR
- Manual 2.8-12mm
- Smart IR, IR Range: 30m
- VCA Tripwire/Perimeter
- Interface Audio I/O:1/1,Alarm I/O:2/2,Micro SD card slot up to 128G,Reset Button
- TVS 6000V, Lightning/Surge Protection: (Power 2000V, RJ45 1000V), IP66,IK10
- Operating Conditions -35°C~60°C(IR OFF) /-35°C~40°C(IR ON), 0~95% RHG
- CE, FCC

Camera	
Image Sensor	1/2.7" CMOS
Signal System	PAL/NTSC
Min. Illumination	Color: 0.05 Lux B/W: 0.01 Lux, 0 Lux with IR
Shutter Time	1s to 1/100,000s
Lens	Manual 2.8-12mm, Angle of View: 101°~38°
Lens Mount	φ14
Day& Night	IR Cut Filter with Auto Switch
Wide Dynamic Range	100 dB
Digital Noise Reduction	3D DNR
Compression Standard	
Video Compression	S+265/H.265/H.264H/H.264M/H.264B/MJPEG
Video Bit Rate	32Kbps~16Mbps
Audio Compression	G.711A/G.711U/ADPCM
Audio Bit Rate	8K~48Kbps
Image	
Max. Image Resolution	1920x1080
Frame Rate	PAL:1080p@25fps, 960p@25fps, 720p@25fps, D1@25fps

	NTSC: 1080p@30fps, 960p@30fps, 720p@30fps, D1@30fps
<b>Mainstream</b>	1080P(1920*1080)
<b>Substream</b>	4CIF (704×576)
<b>3rd Stream</b>	CIF (352×288)
<b>Image Settings</b>	Brightness, Saturation, Contrast, Flip Mode Adjustable by Client Software or Web Browser
<b>HLC</b>	Y
<b>Smart Defog</b>	Y
<b>Corridor Format</b>	Y
<b>ROI</b>	Y
<b>Privacy Mask</b>	Y
<b>Picture Overlay</b>	Y
<b>OSD</b>	16×16, 32×32, 24×24, 48×48, 64×64 Size Letters Such as Week, Date, Time, Total 5 Regions
<b>Network</b>	
<b>Network Storage</b>	FTP
<b>NTP</b>	Y
<b>ANR</b>	Y
<b>Video Analytics</b>	Tripwire/Perimeter/Alarm times count
<b>Alarm Trigger</b>	Motion Detection/IP Conflict/MAC Conflict/Mask Alarm
<b>Protocols</b>	TCP/UDP/HTTP/MULTICAST/UPnP/DHCP/DDNS/FTP/NTP/RTSP/SMTP
<b>Remote Connection</b>	≤7
<b>System Compatibility</b>	ONVIF (Profile S) , P2P, SDK, CGI
<b>Interface</b>	
<b>Audio Input</b>	1-ch
<b>Audio Output</b>	1-ch
<b>Communication Interface</b>	1-ch RJ45 10M / 100M Ethernet Interface
<b>Alarm Input</b>	2-ch
<b>Alarm Output</b>	2-ch
<b>On-board Storage</b>	MicroSD Card Slot, up to 128GB
<b>Extension</b>	Reset
<b>General</b>	
<b>Language</b>	English, Simplified Chinese, Traditional Chinese, Spanish, Italian, Korean, Turkish, Russian, Thai, Polish, French
<b>Operating Conditions</b>	-35°C ~ 60°C, 0 ~ 95% RHG
<b>Power Supply</b>	DC 12 V ± 25%, POE
<b>Power Consumption</b>	Max. 3W (IR OFF) (ICR Instant Switch 12W)
<b>IR Light</b>	32pcs φ5 Array IR LEDs
<b>IR Distance</b>	30m
<b>Impact Protection</b>	IP66, IK10
<b>Dimensions</b>	150mm×150mm×122mm
<b>Weight</b>	1.0KG (IP Camera Only); 1.3KG (with Packing Box)



Note: Product and design are subject to change without any prior notice

