

Model: NT-IPS22AT

Spec: I15/P/33X/AT

H.265 2MP 33x Starlight Autotracking
POE IR PTZ Camera



Features

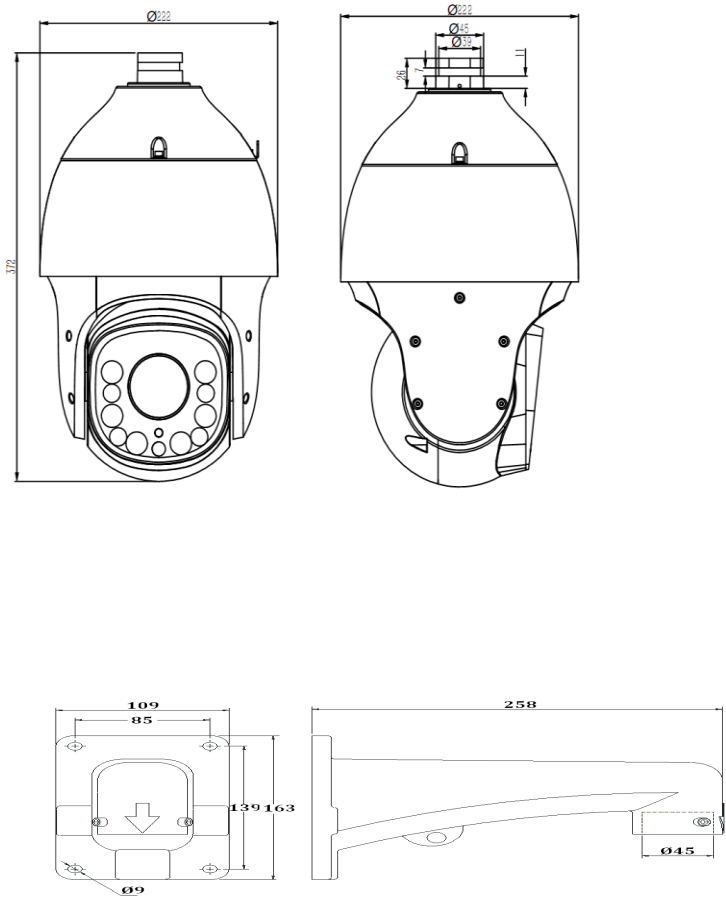
- Starlight Ultra Low Light 0.002lux
- S+265 H.265 H.264 HP/MP/BP. M-JPEG Compression
- WDR 140 db
- Up to 1920x1080@60fps
- Smart IR, IR Range: 150m
- Optical Zoom: 33x, Digital Zoom: 16x
- Speed Max400°/s, -16~90° Tilt Angle
- NIR, WDR, 3D DNR, HLC, Dual-ICR, AWB, AGC, BLC
- Supports panoramic tracking, manual tracking and behavior analysis linkage tracking
- VCA Tripwire/Double Tripwire/Perimeter/Object Abandon/Object Lost/Running/Loitering/People Counting/Parking/Crowd/Audio Abnormal Detection/Video Abnormal Detection
- Interface Built-in Mic, Audio in/out 1/1, Alarm in/out 1/1, MicroSD Card Slot, up to 128GB, Reset Button
- TVS 6000V, Lightning/Surge 4000V Protection, IP66

Camera	
Image Sensor	1/2.8" CMOS
Signal System	PAL/NTSC
Minimum Illumination	Color: 0.002 Lux @(F1.6,AGC ON)
	B/W:0.001Lux @(F1.6,AGC ON)
	0 Lux with IR
White Balance	Auto/ ATW/ Manual
BLC	Y
HLC	Y
Smart Defog	Y
WDR	140dB
Digital Noise Reduction	3D DNR
Exposure Mode	Auto/ Manual/Iris First/ Shutter First
Shutter Time	1/1s~1/100000s
Day& Night	IR Cut Filter with Auto Switch

Optical Zoom	33x
Digital Zoom	16x
Privacy Masking	24 Privacy Mask Programmable; Optional Multiple Colors
Auto Focus	Auto/ Semi-automatic/ Manual
OSD	Size:16x16, 32x32, 24x24, 48x48, 64x64,96x96 Letters, Week, Date, Time, Total 5 Regions ,PTZ Angle Superposition
Lens	
Focal Length	4.6-152mm, 33x
Zoom Speed	Approx.5s(Optical Wide-Tele)
Angle of View	62.1° (w) ~2.18° (t)
Minimum Working Distance	1-1.5m(Wide-Tele)
Aperture Range	F1.5-F4.0
Pan & Tilt	
Pan Range	360° Endless
Pan Speed	Pan Manual Speed: 0.1° -240°/s Pan Preset Speed: 240°/s
Preset Accuracy	±0.2°
Tilt Range	-16°-90° (Auto Flip)
Tilt Speed	Tilt Manual Speed: 0.1°-240°/s Tilt Preset Speed: 240°/s
3D Position	Y
Number of Preset	500
Scan	8
Cruise	16, up to 32 Presets per Cruise
Pattern	8, Each One With 600s Memory or 300 Orders
Power loss recovery	Y
Guard Action	Preset/ Cruise/ Pattern/ Scan
PTZ Position Display	Y
Freeze Frame	Y
RS-485 Protocols	N/A
Infrared	
IR Irradiation Distance	150m
IR Irradiation Angle	Adjustable by Zoom
Interface	
Audio Input	1-ch Mic in(Line in Interface) Line Input 2-2.4V[p-p]; Output Impedance 1KΩ, ±10%
Audio Output	1-ch, Line level, Impedance: 600Ω
Enthernet	1-ch RJ45 10M/ 100M
Alarm Input	1-ch
Alarm Output	1-ch
On-board Storage	MicroSD Card Slot, up to 128GB

BNC	N/A
RS-485	N/A
RESET	Y
Extension	N/A
Network	
Max.Image Resolution	1920x1080
Main Stream	1920x1080@50/60fps; 1280x960@50/60fps; 1280x720@50/60fps 704x576@50/60fps 704x480@50/60fps
Sub Stream	704x576@25fps/704x480@30fps 352x288@25fps/352x240@30fps 176x144@25fps/176x120@30fps
Third Stream	1920x1080@25/30fps; 1280x960@25/30fps 1280x720@25/30fps; 640x480@25/30fps; 704x576@25fps; 704x480@30fps; 704x288@25fps; 704x240@30fps; 352x288@25fps; 352x240@30fps
Image Compression	S+265/H.265/H.264 High Profile/MJPEG
ROI Encoding	7 Dynamic Areas for Both Main and Sub Stream
Audio Compression	G711A/G711U/ADPCM/AAC
Protocols	TCP/UDP/HTTP/MULTICAST/UPnP/DHCP/PPPoE/DDNS/FTP/NTP/RTSP/SNMP/SMTP
Remote Connection	10 Users Access at the Same Time
IP Address	Support static, dynamic IP address, Customized MTU , Customized Network card
System Compatibility	ONVIF (Profile S), SDK,P2P
Advance	
Autotracking Early Warning(AEW)	N/A
Video Analytics(IVA)	Tripwire/Double Tripwire/Perimeter/Object Abandon/Object Lost/Running/Loitering/Parking /Crowd/Audio Abnormal Detection/Video Abnormal Detection
Smart-tracking	By Manual/ Panorama/Tripwire/ Perimeter
Intelligent Alarm	Motion Detection, Mask Alarm, Port Alarm,Network Disable Alarm,IP Conflict, MAC Conflict Detection
General	
Language	English,Spanish,Korean,Italian,Turkish,Thai,Russian,Traditional Chinese,Simplified Chinese,Polish,French
Operating Conditions	-40°C-70°C, 0~95% RHG
Power Supply	DC12V, POE+
Power Consumption	18.6W(IR OFF)/ 32.36W(IR ON)
Circuit Protection	TVS 6000V, Lightning/ Surge 4000V Protection
Impact Protection	IP66
IR LEDs	4pcs

White LEDS	N/A
Wiper	N/A
Dimensions	372mmx222mmx222mm
Weight	4.8KG (IP PTZ Only), 7.5KG (with Packing Box)



Product specification and design are subject to change without any prior notice.